



compact grader company

# Introducing the Compact Grader of the future



## **Tough jobs require tough tools!**

One look at this attachment's heavy duty frame and reinforced blade tells you that it was **MADE TO WORK.**

### **Some of the benefits of this grading system include:**

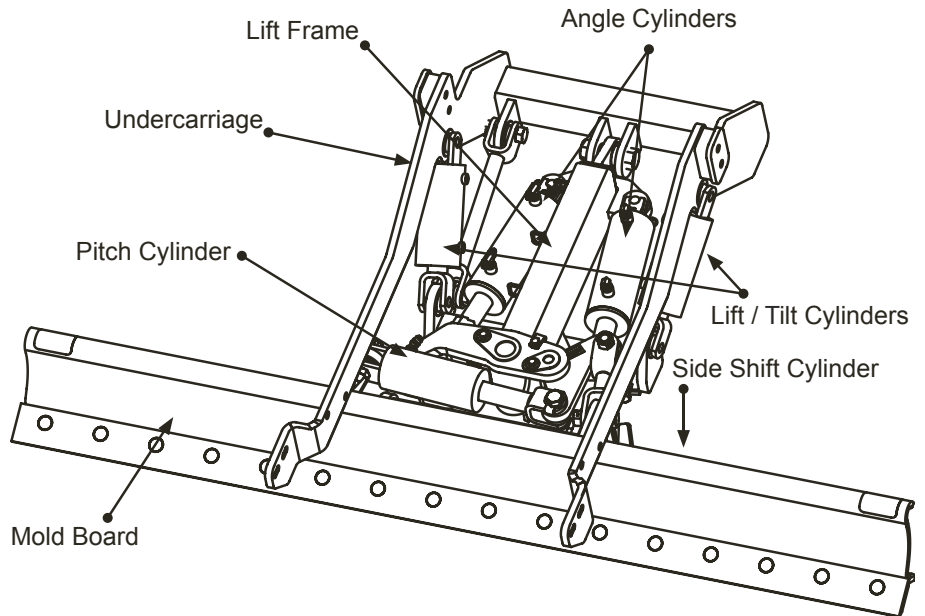
- Low cost machine, engineered to tackle all types of site preparation in construction and landscaping industries.
- Local councils and governments agencies can benefit with a cost effective grading system that is versatile.
- The Compact Grader suits a wide range of tractors from 40HP - 120HP range and is compatible with factory front end loaders and also all rear implements.

The Compact Grader Attachment manufactured in the USA and exclusive to the Compact Grader Company will perform six different functions, Hydraulically Raise, Lower, Angle, Tilt, Pitch and Side shift.

The Compact Grader features unique patented Angle, Pitch and Side shift systems. The Twin Ram Angle Design allows the blade to be rotated at anytime, even while under full load. This system is ideally suited to true Grader capabilities in tight areas, such as small car parks and the ever increasing number of limited space job sites that require detailed grading.

## **A NEW LOW COST SOLUTION FOR TIGHT ACCESS GRADING.**

**Combine the *STRENGTH* and *DURABILITY* of an industrial motor grader with your compact tractor and complete more jobs in less time.**



***PERFECT FINISH GRADE***

***Compact Grader Company offers two laser controls options***



The FULLY AUTOMATED TWIN RECEIVER CONTROL SYSTEM allows the operator to concentrate on maneuvering the machine while the laser control system continues to fine grade without assistance.

We also offer the TOPCON SYSTEM FIVE commonly seen on full size motor graders. This system provides full automatic blade control with true cross slope capabilities using either laser receivers or sonic tracking systems. The Compact Grader is the only true compact underslung blade system in the world to offer this control system, which is easily upgradable to 3D G.P.S

## ***Features***

- Auto / Manual Selector Switch
- LED Indicator on Control Box
- Hi / Lo Indicator on receiver
- Will accept any laser signal
- Proportional speed control

## ***Benefits***

- Quick switch for accurate operator control
- Auto grade set without operator input
- Multi location LED readout
- Compatible with most laser transmitters



Compact Grader Company  
Ph: 08 8284 9479  
Fax: 08 8284 9132  
[www.compactgrader.com.au](http://www.compactgrader.com.au)

***www.compactgrader.com.au***